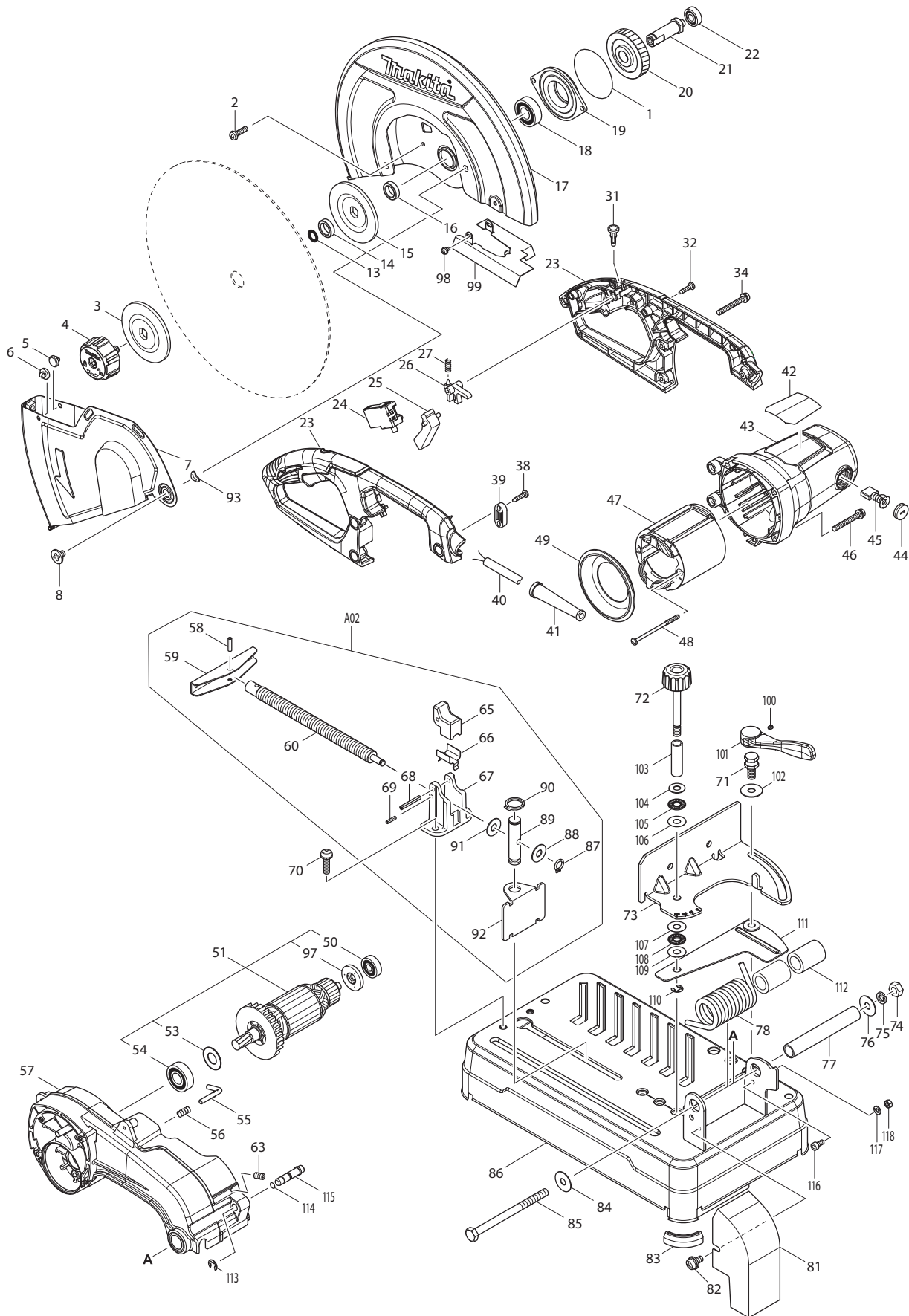


## 14" Portable Cut-off Saw, Tool-less



Item No.	Type	Sub	Part No.	Description	Qty	Unit
001			213858-0	O-RING 65	1	PC.
002			265122-5	PAN HEAD SCREW M5X20	4	PC.
003			224299-5	FLANGE 90	1	PC.
004			123478-1	TOOLLESSBOLT ASSEMBLY	1	PC.
005			418142-0	PLUG	1	PC.
006			418142-0	PLUG	1	PC.
007			161398-1	SAFETY GUIDE	1	PC.
008			265121-7	+ FLAT HEAD SCREW M6	1	PC.
013			213180-5	O RING 14	1	PC.
014			257255-0	RING 17	1	PC.
015			224299-5	FLANGE 90	1	PC.
016			257255-0	RING 17	1	PC.
017			161400-0	SAFETY COVER	1	PC.
018			211282-1	BALL BEARING 6203ZZ	1	PC.
019	1		319393-7	BEARING BOX	1	PC.
	2		136029-1	BEARING BOX	1	PC.
		INC.		Item No. 001	1	PC.
020			227811-0	HELICAL GEAR 50	1	PC.
021			324321-9	SPINDLE	1	PC.
022	2		210199-5	BALL BEARING 6000ZZ	1	PC.
023			183C14-3	HANDLE SET	1	PC.
024			650716-3	SWITCH TGC31B	1	PC.
025			418140-4	SWITCH LEVER	1	PC.
026			418139-9	SWITCH LOCK	1	PC.
027			231397-8	COMPRESSION SPRING 4	1	PC.
031	2		417113-4	SWITCH BUTTON	1	PC.
032			266326-2	TAPPING SCREW 4X18	4	PC.
034			265104-7	PAN HEAD SCREW M5X40	3	PC.
038			266326-2	TAPPING SCREW 4X18	2	PC.
039			687124-5	STRAIN RELIEF	1	PC.
040			664478-7	CORD W/PLUG 2P-14-3.0M,SJ	1	PC.
041			682574-9	CORD GUARD 10-90	1	PC.
042			851S34-8	NAME PLATE F/LW1400	1	PC.
043			143760-2	MOTOR HOUSING COMPLETE	1	PC.
		INC.	643712-8	BRUSH HOLDER	2	PC.
		INC.	808N19-5	CAUTION LABEL	1	PC.
044			643700-5	BRUSH HOLDER CAP 7-18	2	PC.
045			194991-6	CARBON BRUSH CB-203 2PC/SET W/ORIGIN	1	SET
046			265104-7	PAN HEAD SCREW M5X40	4	PC.
047			593907-2	FIELD ASS'Y 115V	1	PC.
		INC.	654197-3	RING TERMINAL	2	PC.
		INC.	654502-4	CONNECTOR P-2	2	PC.
048			265A13-6	TAPPING SCREW 5X85	2	PC.
049			418143-8	BAFFLE PLATE	1	PC.
050			210070-3	BALL BEARING 6200ZZ	1	PC.
051			513461-0	ARMATURE ASS'Y 115V	1	PC.
		INC.		Item No. 50,53-54,97		
053			267714-6	WASHER 15	1	PC.
054			211240-7	BALL BEARING 6200ZZ	1	PC.
055			324322-7	STOPPER	1	PC.
056			233372-0	COMPRESSION SPRING 7	1	PC.
057	4		140D69-7	* GEAR HOUSING COMPLETE	1	PC.
		INC.	263029-9	* RUBBER PIN 6	1	PC.
058			951163-4	SPRING PIN 5-20	1	PC.

Item No.	Type	Sub	Part No.	Description	Qty	Unit
059			272027-2	HANDLE 120	1	PC.
060	1		324323-5	WISE SCREW	1	PC.
	2		326802-9	WISE SCREW	1	PC.
063			266321-2	H.S.SET SCREW(FLAT POINT)M6X16	1	PC.
065			313114-9	WISE NUT	1	PC.
066			345311-9	PLATE	1	PC.
067			317662-0	SCREW GUIDE	1	PC.
068			951175-7	SPRING PIN 5-36	1	PC.
069			951110-5	SPRING PIN 4-16	1	PC.
070			265125-9	PAN HEAD SCREW M8X30	2	PC.
071			266996-7	COLLAR BOLT M10X20	1	PC.
072			271331-6	KNOB 40	1	PC.
073			346970-2	GUIDE PLATE	1	PC.
074	2		252183-4	HEX.NUT M10-17	1	PC.
075			942251-8	SPRING WASHER 10	1	PC.
076			253197-6	FLAT WASHER 10	1	PC.
077			331648-0	PIPE 20-128	1	PC.
078			233633-8	TORSION SPRING 33	1	PC.
081			161399-9	SPARK GUARD	1	PC.
082			265144-5	PAN HEAD SCREW M6X12	1	PC.
083			421834-2	CUSHION	3	PC.
084			253197-6	FLAT WASHER 10	1	PC.
085			265509-1	HEX.BOLT M10X140	1	PC.
086			161397-3	BASE	1	PC.
087			961004-6	RETAINING RING S-8	1	PC.
088			267257-8	FLAT WASHER 8	1	PC.
089			256545-8	PIN 16	1	PC.
090			961056-7	RETAINING RING S-16	1	PC.
091			267257-8	FLAT WASHER 8	1	PC.
092			346636-4	WISE PLATE	1	PC.
093			253903-9	WAVE WASHER 6	1	PC.
097			681630-2	INSULATION WASHER	1	PC.
098			911103-4	PAN HEAD SCREW M4X6	2	PC.
099			346971-0	SPARK COVER	1	PC.
100			266264-8	H.S.SET SCREW(FLAT POINT)M5X6	1	PC.
101			272286-8	LEVER 125	1	PC.
102			253197-6	FLAT WASHER 10	1	PC.
103			257389-9	SLEEVE 11	1	PC.
104			253180-3	FLAT WASHER 10	1	PC.
105			216413-7	THRUST NEEDLE CAGE 1024	1	PC.
106			253353-8	THIN WASHER 10	1	PC.
107			253353-8	THIN WASHER 10	1	PC.
108			216413-7	THRUST NEEDLE CAGE 1024	1	PC.
109			253353-8	THIN WASHER 10	1	PC.
110			961014-3	STOP RING E-8	1	PC.
111			161402-6	GUIDE BASE	1	PC.
112	1		257390-4	SLEEVE 20, IRON	2	PC.
	2		257413-8	SLEEVE 20, PLASTIC(PA6-GF30)	2	PC.
113			961014-3	STOP RING E-8	1	PC.
114			213011-8	O RING 7	1	PC.
115			326624-7	STOPPER PIN	1	PC.
116	2		922312-0	* HEX. SOCKET HEAD BOLT M6X12	1	PC.
117	2		253428-3	SPRING WASHER 6	1	PC.
118			931302-2	HEX. NUT M6	1	PC.
C01			878692-1	CARTON F/LW1400	1	PC.

Item No.	Type	Sub	Part No.	Description	Qty	Unit
<b>ACCESSORIES</b>						
<b>- Visit <a href="http://www.makita.ca">www.makita.ca</a> for more accessories information -</b>						
A01			B-23204-25	14" C.O.W 1G FAST CUT 25PC/SET	1	SET
			B-23204-5	14" C.O.W 1G FAST CUT 5PC/SET	1	SET
A02			135708-8	VICE ASS'Y	1	PC.
		INC.		Item No. 58-60,65-69,87-92		
A03			D-42597	14" DIAMOND BLADE SEGMENT RIM, 1" ARBOR, FOR STEEL	1	PC.
A04			-----	14" ABRASIVE WHEELS		

### SERVICE CHANGES

#### 1. Changes on Gear Housing Complete & Hex. Socket Head Bolt

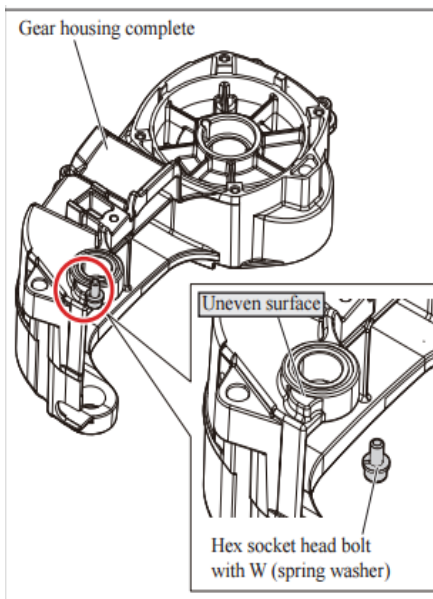
(T#B2830)

Item No.	Description	Type 1	Type 2	Type3	Type4
57	GEAR HOUSING COMPLETE		143464-6**	140G83-1	140D69-7
116	HEX. SOCKET HEAD BOLT M6X12 W/WASHER >HEX. SOCKET HEAD BOLT M6X12	922311-2		922312-0	

Above parts are completely interchangeable as a set.

\*\* Parts Number remain same but Surface changed as below

#### Type 1



#### Type 2

